

WL35S-850BL12

NEOMOUNTS WL35S-850BL12 TV MOUNT WALL

SPECIFICATIONS

GENERAL

Min. screen size*	24 inch
Max. screen size*	65 inch
Max. weight	40 kg (per screen)
Screens	1
VESA minimum	75x75 mm
VESA maximum	200x200 mm
Distance to wall	3,5 cm

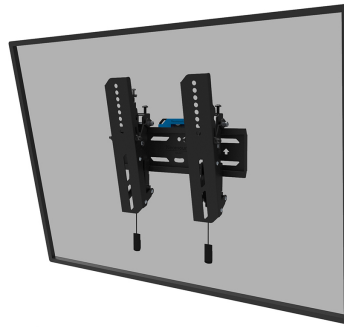
FUNCTIONALITY

Type	Tilt
Height adjustment	2 cm
Lockable	Lockable - Security screw included
Tilt (degrees)	12°
Height	27 cm
Width	28,3 cm
Depth	3,5 cm
Adjustment type	Micro adjustment

INFORMATION

Series	LEVEL 850
Color	Black
Main material	Steel
Warranty	5 year
EAN code	8717371448783

*Please note: The inch sizes stated are just an indication, combined with the weight and VESA sizes. The maximum weight and VESA size are absolute restrictions for the products and should not be exceeded.



Neomounts



Neomounts

Neomounts LEVEL-850 WL35S-850BL12 Tiltable TV mount wall - 24-65" - max 40 kg - VESA 75x75-200x200 - d 3,5 cm - level adjustment - lockable (incl. security screw, excl. lock) - Rapid Install-model incl. fixing template - black

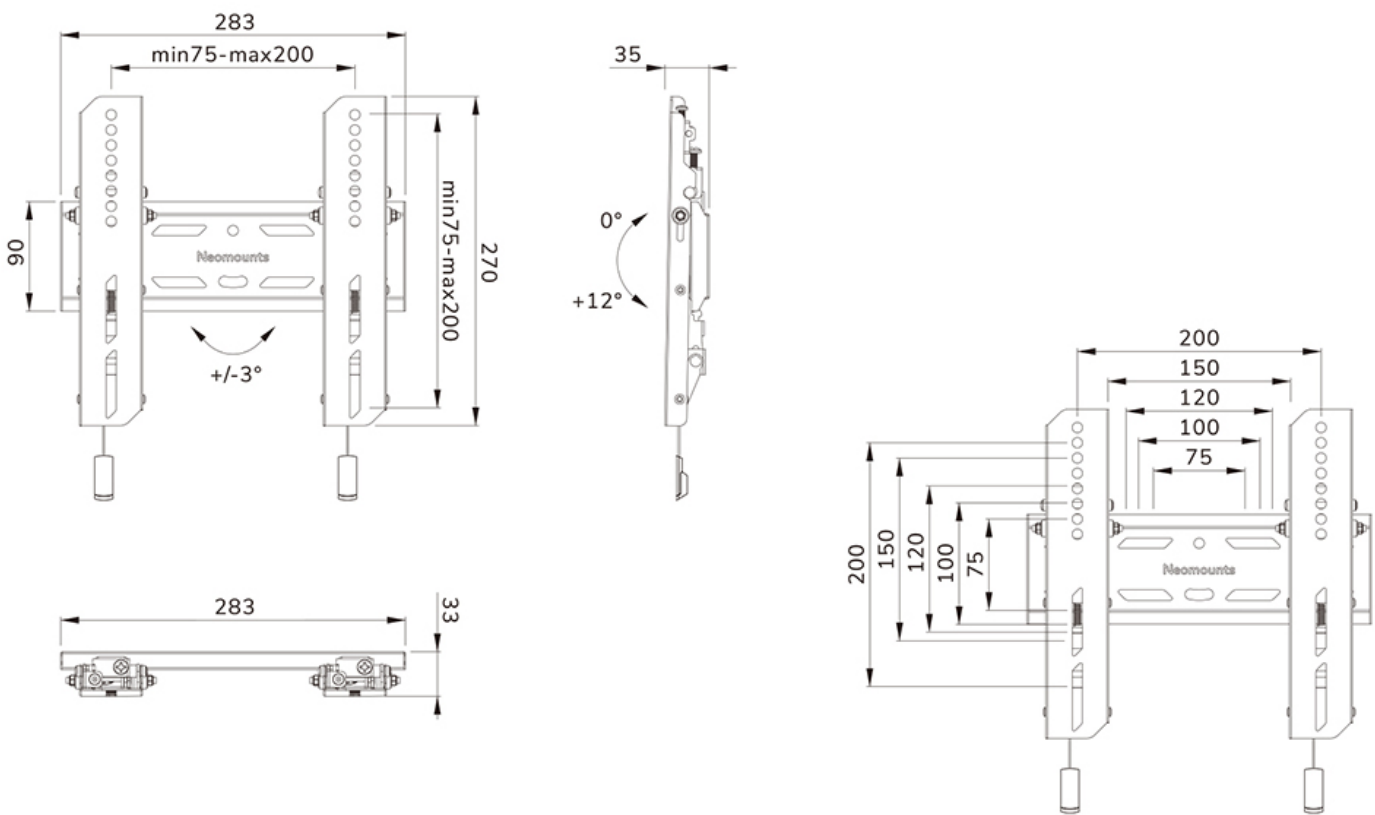
The Neomounts WL35S-850BL12 LEVEL is a tiltable wall mount for flat screens up to 65" with a maximum weight capacity of 40 kg. The versatile tilt (12°) technology allows you to create the optimum viewing angle. Height and level adjustment is available for the perfect installation.

The LEVEL-850 wall mount has a depth of 3,5 cm and is suitable for screens that meet VESA hole pattern 75x75 to 200x200mm. It is possible to lock the wall mount using the included anti-theft screw or a padlock (not included).

The WL35S-850BL12 features a nifty magnetic pull & release system, that allows you to attach the TV in a wink of an eye and secure the TV in safe and solid manner. Afterwards, the pull & release straps can be easily hidden behind the screen by clicking the magnet to the mount. A separate spirit level tool is included with the wall mount, as well as a fixing template, to ensure easy installation of the mount.

WL35S-850BL12

NEOMOUNTS WL35S-850BL12 TV MOUNT WALL



Neomounts

Measuring unit: mm