

LED-W220

NEOMOUNTS LED-W220 TV MOUNT WALL

SPECIFICATIONS

GENERAL

Min. screen size*	22 inch
Max. screen size*	40 inch
Max. weight	50 kg (per screen)
Screens	1
VESA minimum	100x100 mm
VESA maximum	200x200 mm
Distance to wall	3,9 cm

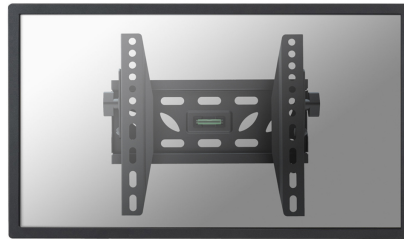
FUNCTIONALITY

Type	Tilt
Tilt (degrees)	10°
Adjustment type	None

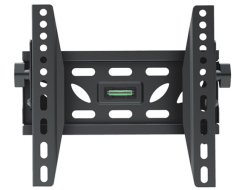
INFORMATION

Color	Black
Main material	Steel
Warranty	5 year
EAN code	8717371442972

*Please note: The inch sizes stated are just an indication, combined with the weight and VESA sizes. The maximum weight and VESA size are absolute restrictions for the products and should not be exceeded.



Neomounts



Neomounts

Neomounts LED-W220 Tiltable TV mount wall - 22-40" - max 50 kg - VESA 100x100-200x200 - d 3,9 cm - black

The Neomounts wall mount, model LED-W220 is a tiltable wall mount for flat screens up to 40". This mount is a great choice when you want the ultimate viewing flexibility with your flat screen. Neomounts' tilt (10°) technology allows the mount to change to any viewing angle to fully benefit from the capabilities of the flat screen. Depth of this mount is 4 centimetres.

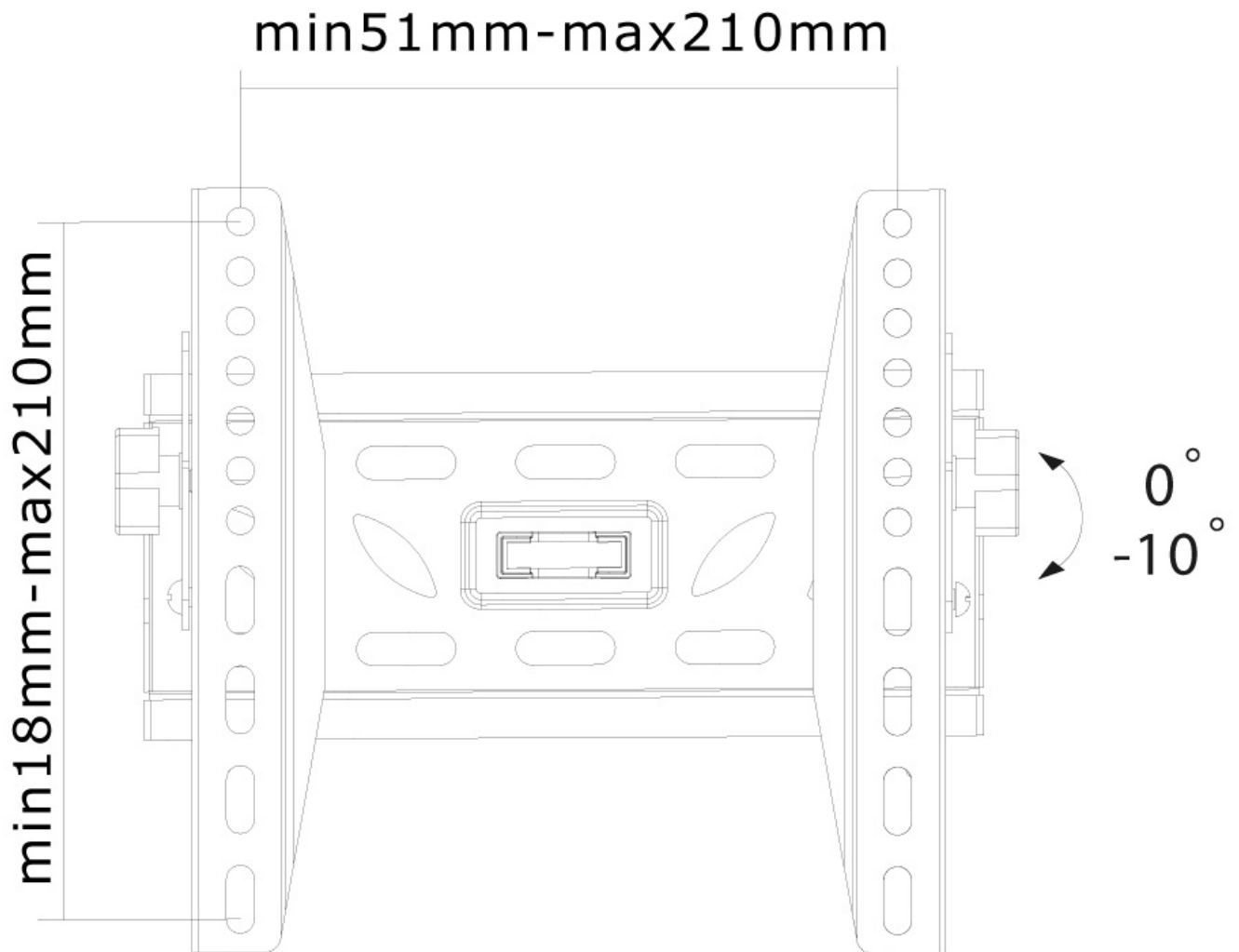
Neomounts LED-W220 is suitable for screens up to 40" (102 cm). The weight capacity of this product is 50 kg each screen. The wall mount is suitable for screens that meet VESA hole pattern 100x100 to 200x200mm. Different hole patterns can be covered using Neomounts VESA adapter plates.

Create a clean design ambiance for your flat screen TV in the living room, bedroom or home cinema.

All installation material is included with the product.

LED-W220

NEOMOUNTS LED-W220 TV MOUNT WALL



Neomounts