

DS15-625BL1

NEOMOUNTS DS15-625BL1 TABLET STAND

SPECIFICATIONS

GENERAL

Min. screen size*	7.9 inch
Max. screen size*	11 inch
Max. weight	1 kg (per screen)
Screens	1
Desk mount	Stand

FUNCTIONALITY

Type	Tilt Rotate
Lockable	Lockable - Security screw included
Tilt (degrees)	+20° - -110°
Rotate (degrees)	360°
Height	41.5 cm
Width	16 cm
Depth	23 cm
Adjustment type	Manual

INFORMATION

Color	Black
Main material	Steel
Warranty	5 year
EAN code	8717371449773

*Please note: The inch sizes stated are just an indication, combined with the weight and VESA sizes. The maximum weight and VESA size are absolute restrictions for the products and should not be exceeded.



Neomounts



Neomounts

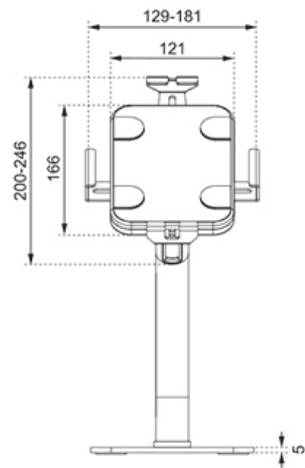
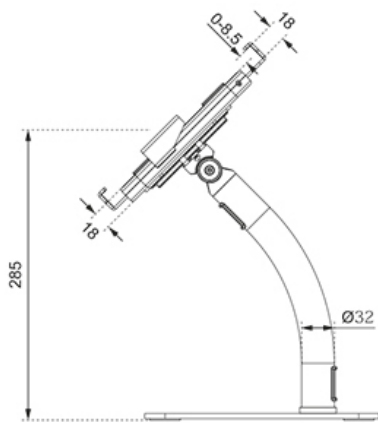
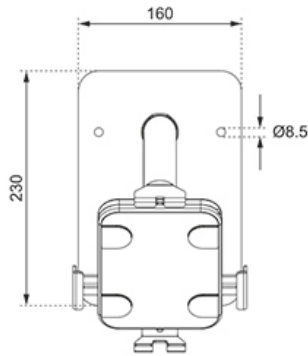
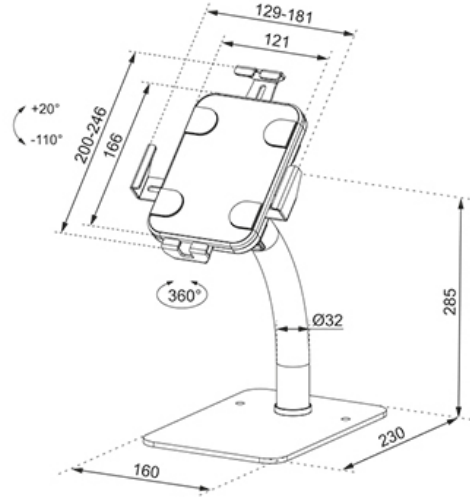
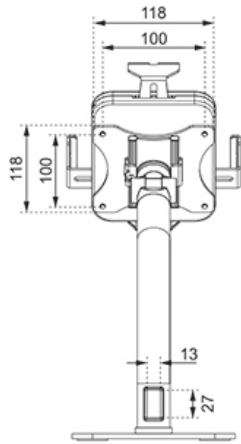
Neomounts DS15-625BL1 Tablet stand desk - 7.9-11" - 130° tiltable - 360° rotatable - lockable (incl. security screw, excl. lock) - bolt-down - universal - black

The Neomounts DS15-625BL1 is a countertop tablet holder that can rotate 360° to easily switch between portrait and landscape orientation. Additionally, the tablet holder can be tilted +20°/-110° for comfortable viewing. Using the sliding rail at the back, the tablet can be perfectly aligned in the centre of the holder.

The tablet holder features an anti-theft lock and a bolt-down base for extra security. Anti-skid pads protect the tablet from any scratches, while the height and width adjustable clamps ensure safe and solid placement of the device. The upper part has a cut-out for the tablet's camera. Cables can be neatly routed via the internal cable management system. The DS15-625BL1 is suitable for tablets with a thickness of 0-8,5 mm.

DS15-625BL1

NEOMOUNTS DS15-625BL1 TABLET STAND



Neomounts

Measuring unit: mm