

## AFL55-800BL1

### SPECIFICATIONS

#### GENERAL

Min. screen size*	0 inch
Max. screen size*	85 inch
Min. weight	0 kg (per screen)
Max. weight	84 kg (per screen)
Screens	1

#### FUNCTIONALITY

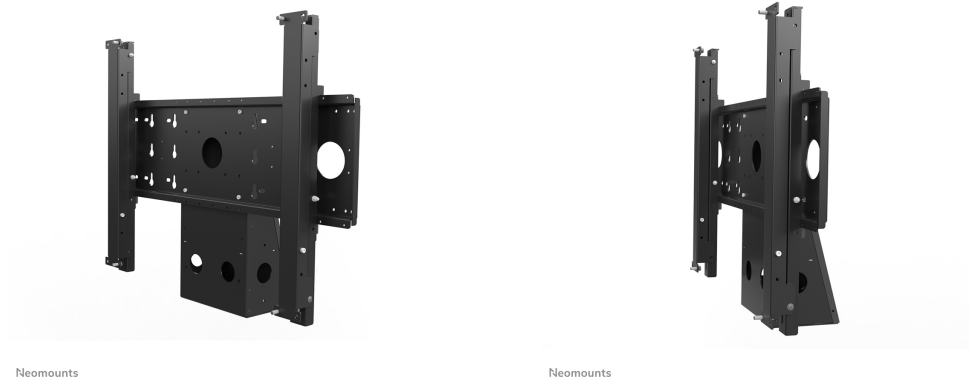
Lockable	Lockable - Padlock not included
Adjustment type	Micro adjustment

#### INFORMATION

Color	Black
Main material	Steel
Warranty	5 year
EAN code	8717371448622

\*Please note: The inch sizes stated are just an indication, combined with the weight and VESA sizes. The maximum weight and VESA size are absolute restrictions for the products and should not be exceeded.

## NEOMOUNTS AFL55-800BL1 ADAPTER FOR MS



### Neomounts AFL55-800BL1 Adapter for MS Hub 85" - max 84 kg - lockable (excl. lock) - suitable for PLASMA-M2500/W2500BLACK/SILVER, NM-HUB2LIFTBLACK/WHITE - black

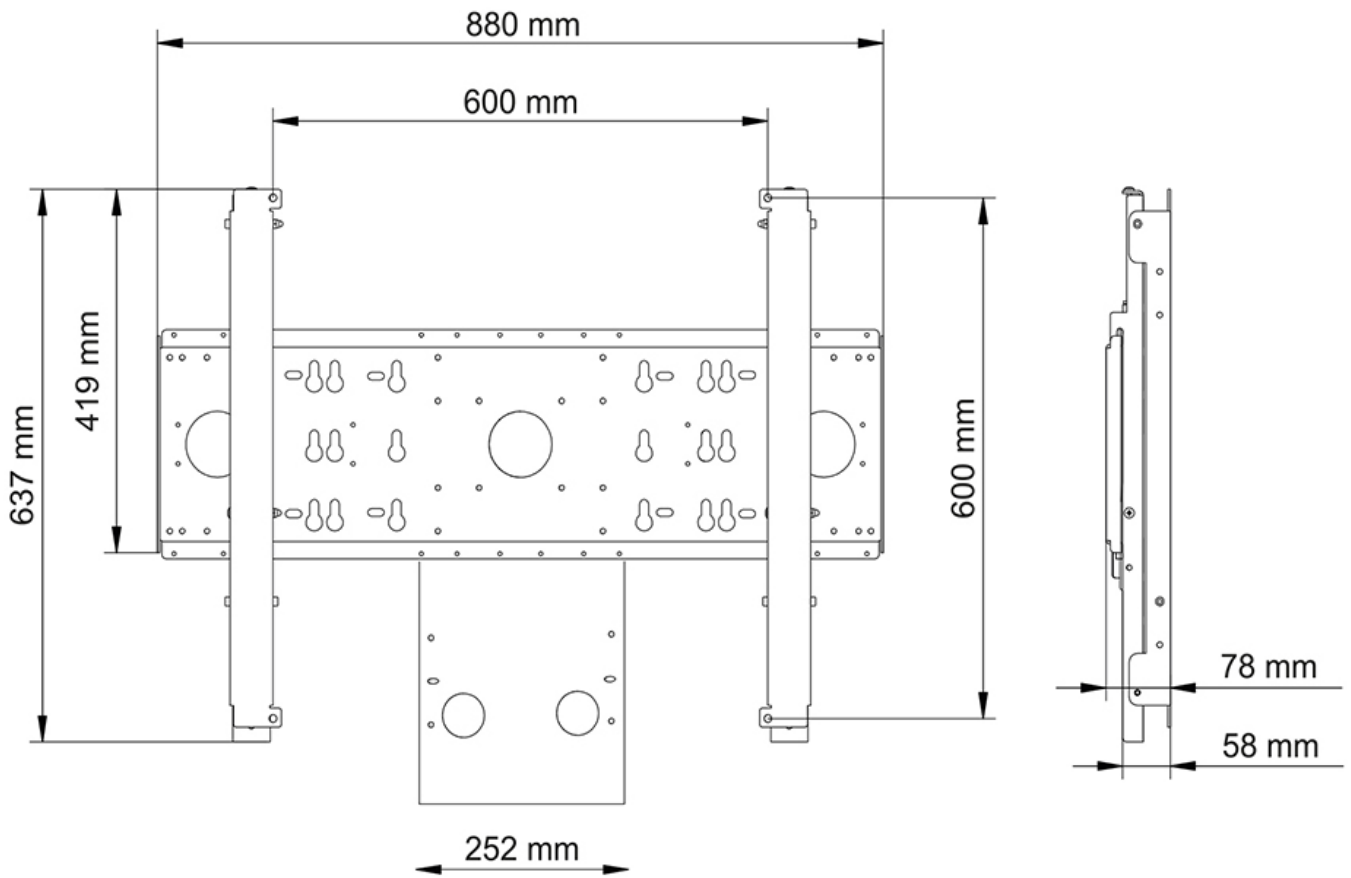
The Neomounts AFL55-800BL1 adapter is specifically designed to mount a Microsoft Surface Hub 85" 2S or Microsoft Surface Hub 85" 3 screen to a mount or trolley. This adapter can be used on the PLASMA-M2500BLACK, PLASMA-M2500SILVER, NM-HUB2LIFTBLACK and NM-HUB2LIFTSILVER motorised trolleys and on the PLASMA-W2500BLACK and PLASMA-W2500SILVER motorised wall mounts.

The AFL55-800BL1 features of a smart tilt function, that enables the user to easily guide the cables along the back of the screen. The adapter can be simply installed by removing the current VESA head and attaching the AFL55-800BL1 adapter to the column of your Neomounts trolley or wall mount.

Additionally, the AFL55-800BL1 can also be installed directly to the wall without having to use a trolley or wall mount.

AFL55-800BL1

NEOMOUNTS AFL55-800BL1 ADAPTER FOR MS



Neomounts

Measuring unit: mm