

## THINCLIENT-05

### SPECIFICATIONS

#### GENERAL

|              |                    |
|--------------|--------------------|
| Min. weight  | 0 kg (per screen)  |
| Max. weight  | 10 kg (per screen) |
| VESA minimum | 75x75 mm           |
| VESA maximum | 100x100 mm         |

#### FUNCTIONALITY

|                 |       |
|-----------------|-------|
| Type            | Fixed |
| Adjustment type | None  |

#### INFORMATION

|               |               |
|---------------|---------------|
| Color         | Black         |
| Main material | Steel         |
| Warranty      | 5 year        |
| EAN code      | 8717371445164 |

\*Please note: The inch sizes stated are just an indication, combined with the weight and VESA sizes. The maximum weight and VESA size are absolute restrictions for the products and should not be exceeded.

## NEOMOUNTS THINCLIENT-05 MINI PC HOLDER -



### Neomounts THINCLIENT-05 Mini PC/NUC/Thin client holder - max 10 kg - VESA 75x75-100x100 - universal - black

The Neomounts thin client mount, model THINCLIENT-05, allows you to mount a thin client computer to a monitor mount. A thin client mount creates a neat and clean desk because its stored behind the monitor and doesn't use any valuable desk space. Increase the lifetime of your computer due to reduction intake dust and dirt. Keep the workplace clean without computers on the desk.

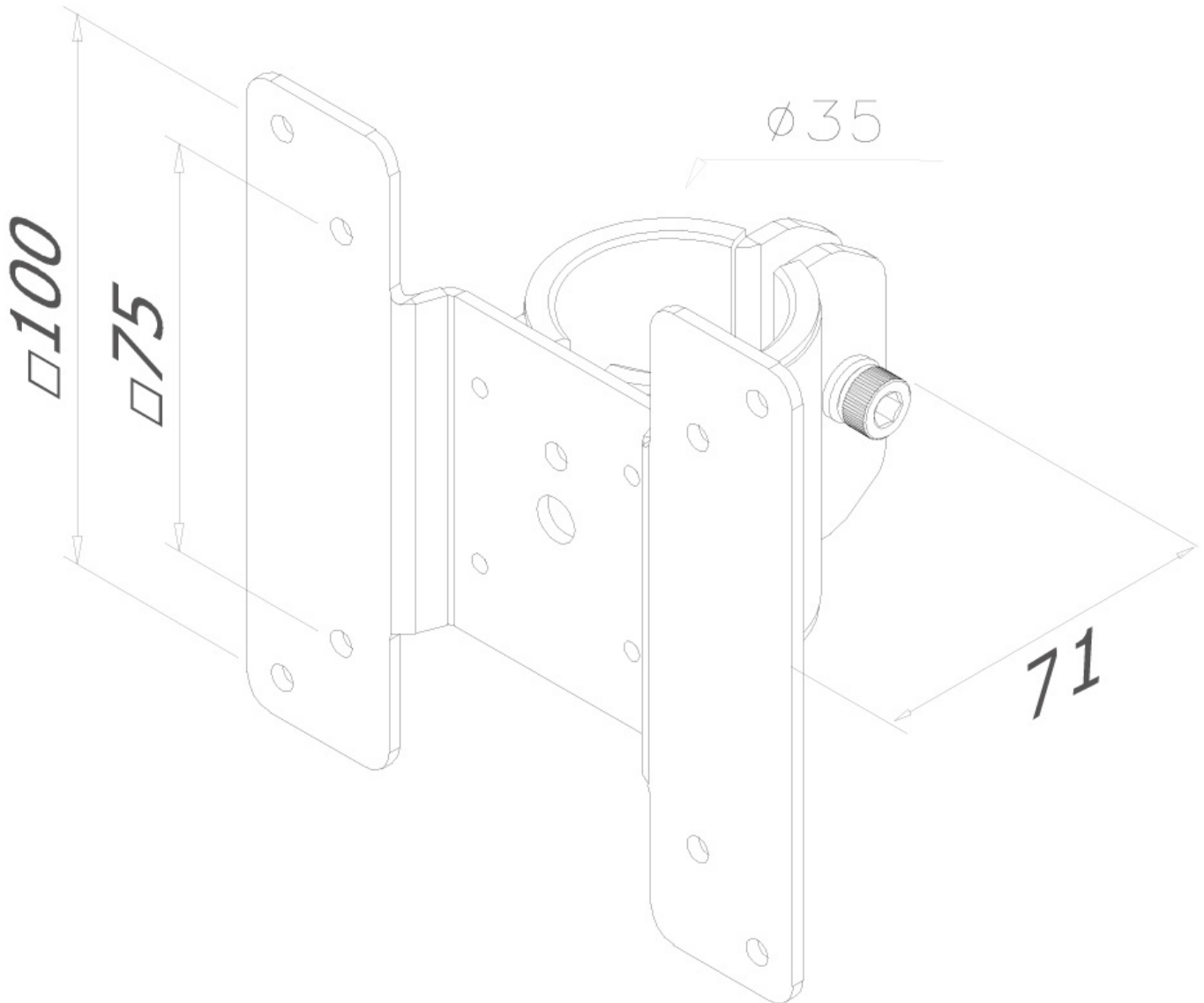
This Neomounts thin client mount allows vertical installation of thin client computer between the screen and monitor mount. This product includes VESA 75 and VESA 100 hole pattern to simplify installation with flat screens and flat screen mounts. Hide your cables and keep the workplace nice and tidy.

Easy to adjust in width and depth to fit most thin client PCs. The specifications listed show maximum and minimum width and depth of the mount.

All installation material is included with the product.

THINCLIENT-05

NEOMOUNTS THINCLIENT-05 MINI PC HOLDER -



Neomounts

Measuring unit: mm