

BEAMER-C80WHITE

NEOMOUNTS BEAMER-C80WHITE BEAMER

SPECIFICATIONS

GENERAL

| | |
|-------------|--------------------|
| Min. weight | 0 kg (per screen) |
| Max. weight | 15 kg (per screen) |

FUNCTIONALITY

| | |
|-------------------|-------------------------------|
| Type | Full motion Tilt Rotate |
| Height adjustment | 13-20 cm |
| Tilt (degrees) | 30° |
| Rotate (degrees) | 360° |
| Adjustment type | Manual |

INFORMATION

| | |
|---------------|---------------|
| Color | White |
| Main material | Steel |
| Warranty | 5 year |
| EAN code | 8717371444396 |

*Please note: The inch sizes stated are just an indication, combined with the weight and VESA sizes. The maximum weight and VESA size are absolute restrictions for the products and should not be exceeded.



Neomounts



Neomounts

Neomounts BEAMER-C80WHITE Beamer ceiling mount - max 15 kg - h 13-20 cm - full motion - white

The Neomounts projector ceiling mount, model BEAMER-C80WHITE is a universal tilt-, swivel and/or rotatable ceiling mount for projectors up to 15 kilograms. This mount is a great choice for an optimal viewing experience. This versatile, ready to install mount, offers the convenience of installation to the ceiling without the need of additional accessories.

Neomounts versatile tilt (30°), rotate and/or swivel (360°) technology allows the mount to change to any viewing angle to fully benefit from the capabilities of the projector. The mount is height adjustable from 13 to 20 centimetres. An innovative cable management conceals and routes cables from ceiling to projector. Hide your cables to keep the installation nice and tidy.

Neomounts BEAMER-C80WHITE has two pivot points and is suitable for most projectors. The weight capacity of this product is 15 kilograms. This universal ceiling mount is easy to install and suitable for projectors using the mounting holes on the bottom side of the projector. The legs included with this mount, cover most projector hole patterns. The quick release function of the bracket offers safe storage of expensive projectors which results in decrease of theft.

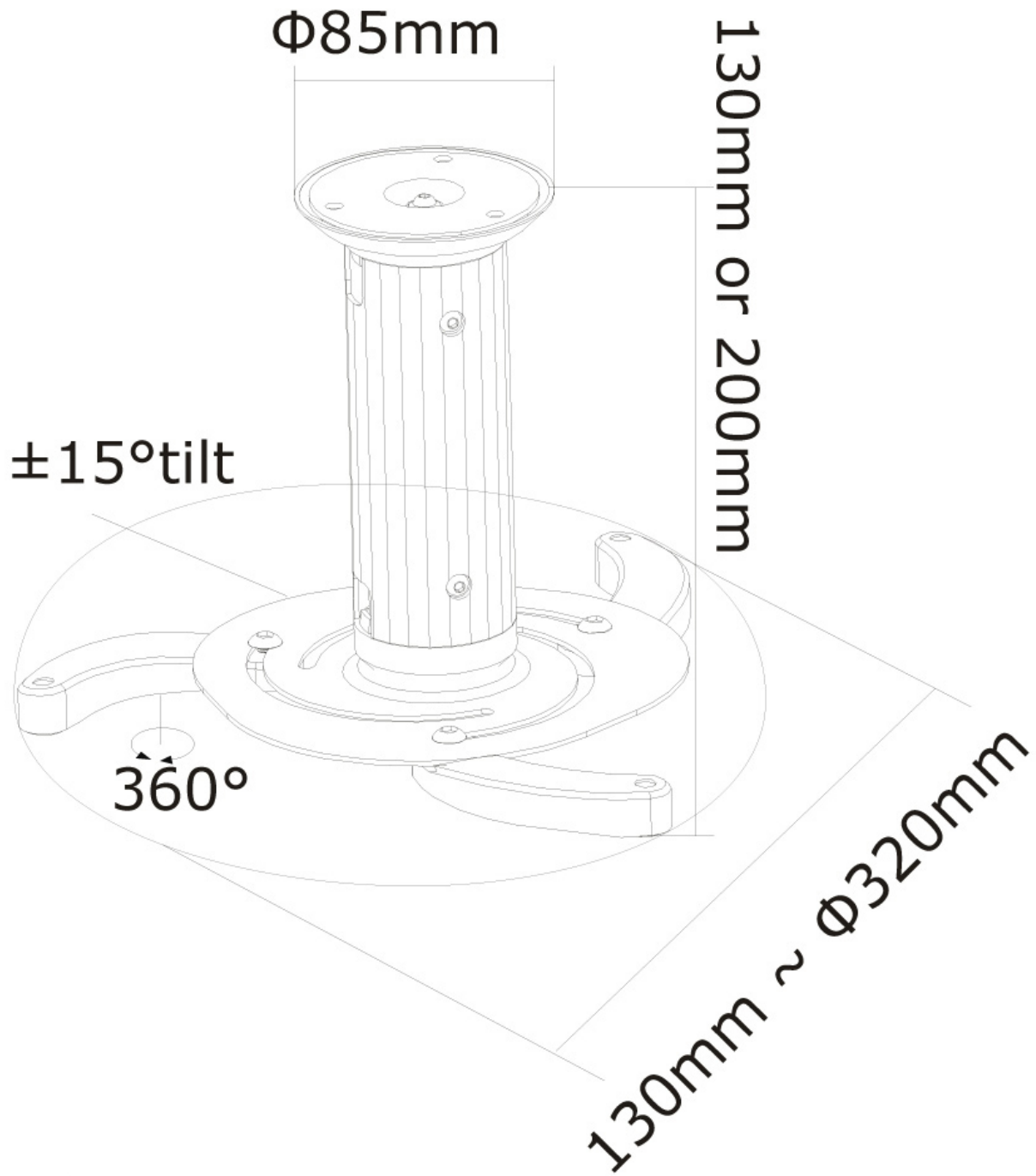
Different poles available, models BEAMER-P100, BEAMER-P150 and BEAMER-P200, to stretch the distance between ceiling and projector from 100 to 200 centimetres.

Projector mounts are ideal for use in offices, schools, hospitals or at home.

All installation material is included with the product.

BEAMER-C80WHITE

NEOMOUNTS BEAMER-C80WHITE BEAMER



Neomounts