

## WL15-603BL1

### SPECIFICATIONS

#### GENERAL

Min. screen size*	14.6 inch
Max. screen size*	14.6 inch
Max. weight	1 kg (per screen)
Screens	1
VESA minimum	75X75 mm
VESA maximum	75X75 mm

#### FUNCTIONALITY

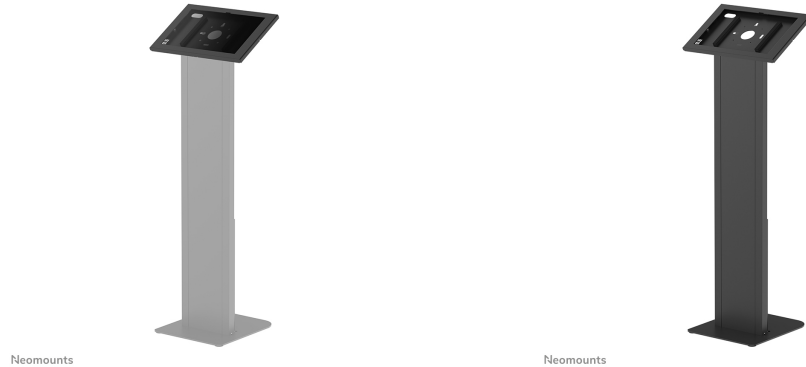
Lockable	Lockable - Lock included
Height	39,2 cm
Width	25,0 cm
Depth	2,2 cm
Adjustment type	None

#### INFORMATION

Color	Black
Main material	Steel
Warranty	5 year
EAN code	8721246340362

\*Please note: The inch sizes stated are just an indication, combined with the weight and VESA sizes. The maximum weight and VESA size are absolute restrictions for the products and should not be exceeded.

## NEOMOUNTS WL15-603BL1 TABLET CASING -



### Neomounts WL15-603BL1 Tablet casing - lockable (incl. lock) - VESA 75x75 - suitable for 14.6" Samsung tablets - for modular set up with variety of desk and floor stands - Black

The Neomounts WL15-603BL1 is a tablet casing that can be installed both in portrait and landscape orientation. The tablet casing features an anti-theft lock and can be installed on suitable Neomounts stands.

The strong aluminum construction ensures safe and solid placement while the cable management system enables cables to be routed within or outside of the casing. A cable with a right-angle connector can be useful for the best installation. The clever design makes the casing suitable for 14,6"\* Samsung tablets.

The tablet casing is part of a modular set up and must be combined with one of the following stands:

DS15- 629BL1 : desk stand - for desk or wall mounting

DS15- 631BL1 : desk stand - for desk mounting or stand-alone

DS15- 632BL1 : desk stand - for desk mounting

FL15-627BL1 : floor stand - tiltable and rotatable position

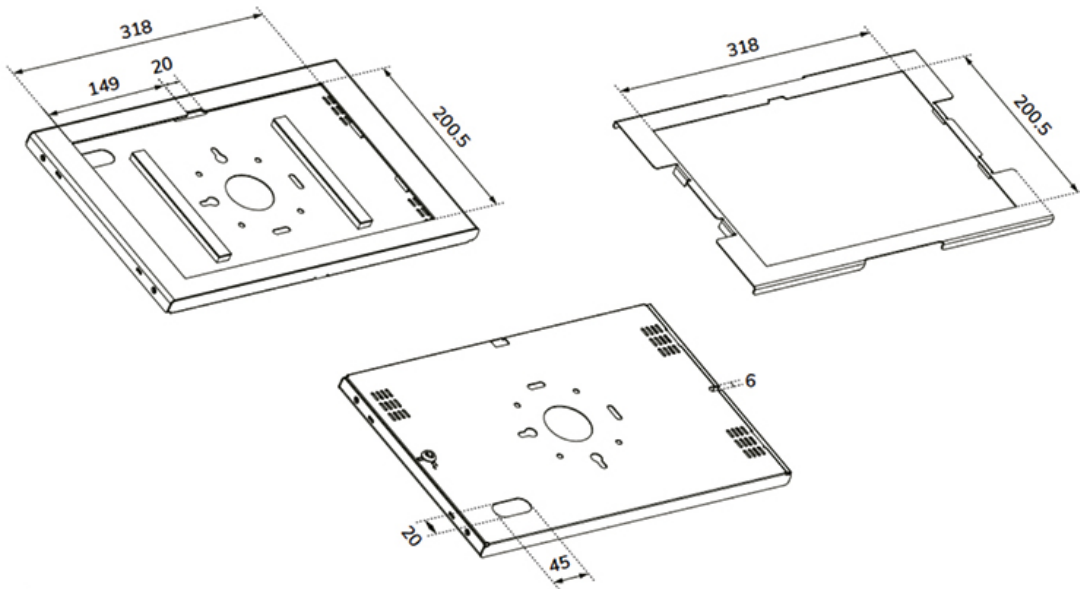
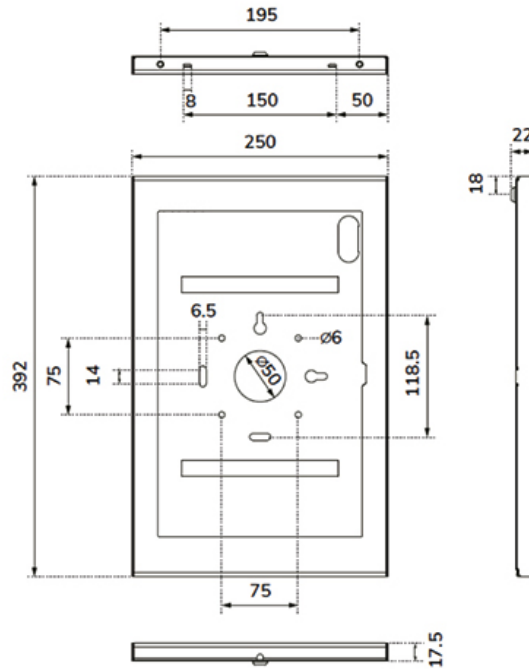
FL15-628BL1 : floor stand - fixed landscape or portrait position

\*Suitable for:

14,6" Samsung Galaxy TAB S8, S9, S10, S11 Ultra

WL15-603BL1

NEOMOUNTS WL15-603BL1 TABLET CASING -



Neomounts

Measuring unit: mm