

## NSLS050

## NEOMOUNTS NSLS050 LAPTOP STAND 10-17" -

### SPECIFICATIONS

#### GENERAL

|                   |                   |
|-------------------|-------------------|
| Min. screen size* | 10 inch           |
| Max. screen size* | 17 inch           |
| Max. weight       | 5 kg (per screen) |
| Desk mount        | Stand             |

#### FUNCTIONALITY

|                  |       |
|------------------|-------|
| Type             | Fixed |
| Rotate (degrees) | 360°  |
| Height           | 14 cm |
| Width            | 24 cm |
| Depth            | 24 cm |
| Adjustment type  | None  |

#### INFORMATION

|               |               |
|---------------|---------------|
| Color         | Silver        |
| Main material | Aluminium     |
| Warranty      | 5 year        |
| EAN code      | 8717371445751 |

\*Please note: The inch sizes stated are just an indication, combined with the weight and VESA sizes. The maximum weight and VESA size are absolute restrictions for the products and should not be exceeded.



Neomounts



Neomounts

### Neomounts NSLS050 Laptop stand - 10-17" - max 5 kg - 360° rotatable - universal - silver

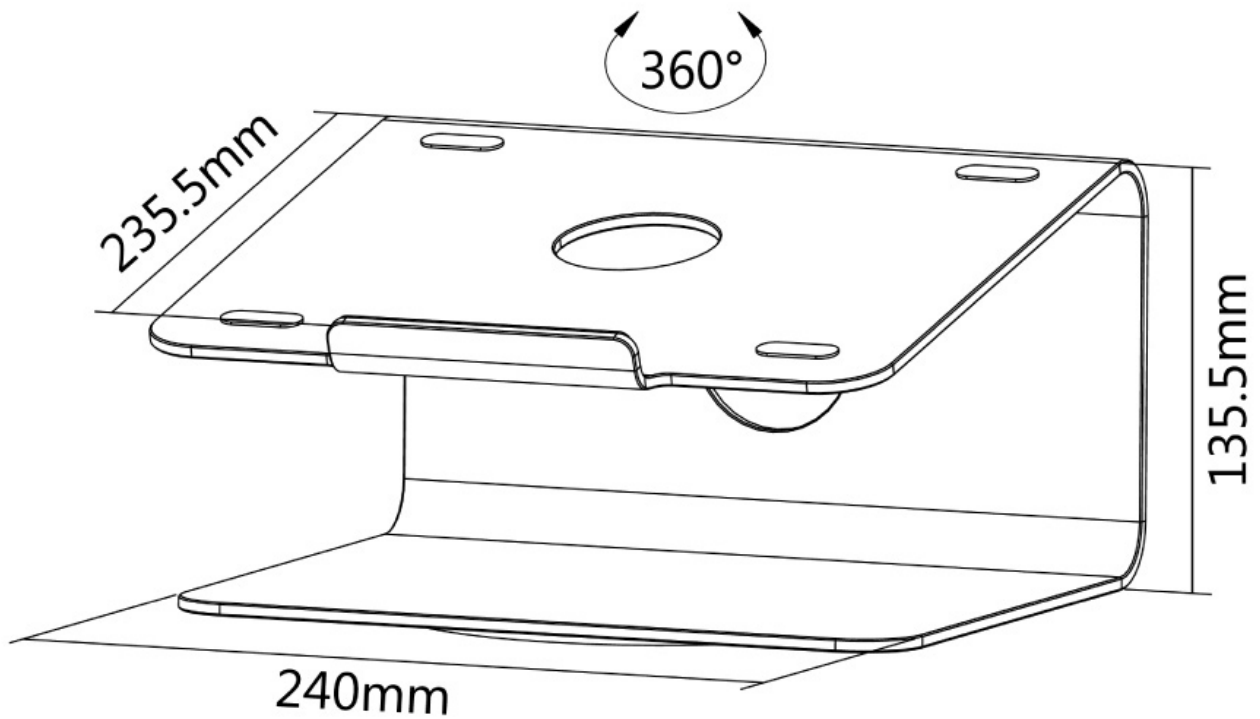
The Neomounts NSLS050 laptop stand is a great choice if you want maximum viewing comfort for your laptop. This high quality stand is made of brushed aluminum and suitable for most 10-17" laptops.

By using an ergonomic stand like the Neomounts NSLS050 a more comfortable working position is easily created and neck- and back complaints avoided. The hollow design ensures a good air flow, reducing any over-heating problems. With the 360 degrees rotatable base you can turn the laptop in the required direction in just seconds.

The non-slip silicone feet and laptop rest increases the stability and prevents scratching. On the back of the product there's a cable hole to neatly organize your cables. The NSLS050 laptop stand is ideal for use in (home) offices, on counters, DJ booths or reception areas.

NSLS050

NEOMOUNTS NSLS050 LAPTOP STAND 10-17" -



Neomounts