

## FPMA-CB200BLACK

## NEOMOUNTS FPMA-CB200BLACK DUAL

### SPECIFICATIONS

#### GENERAL

Min. screen size*	10 inch
Max. screen size*	27 inch
Min. weight	0 kg (per screen)
Max. weight	7 kg (per screen)
Screens	2
VESA minimum	75x75 mm
VESA maximum	100x100 mm

#### FUNCTIONALITY

Type	Tilt Rotate Swivel Full motion
Tilt (degrees)	20°
Swivel (degrees)	20°
Rotate (degrees)	360°
Adjustment type	None

#### INFORMATION

Color	Black
Main material	Aluminium
Warranty	5 year
EAN code	8717371446703

\*Please note: The inch sizes stated are just an indication, combined with the weight and VESA sizes. The maximum weight and VESA size are absolute restrictions for the products and should not be exceeded.



Neomounts



Neomounts

### Neomounts FPMA-CB200BLACK Crossbar monitor arm adapter from 1 to 2 screens - 10-27" - 0-7 kg/screen - VESA 75x75-100x100 - black

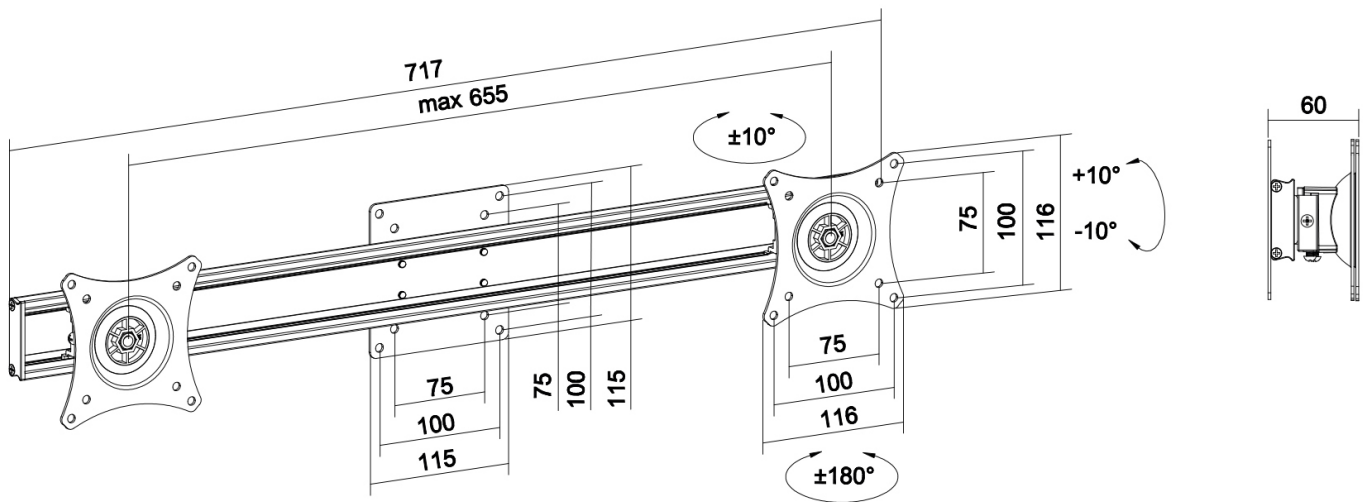
The Neomounts dual monitor adapter, model FPMA-CB200BLACK is a twin screen mounting rail allowing two monitors/flatscreens to be mounted on one flatscreen mount. Slide screens from left to right to fit side-by-side display. Provides independent screen adjustments and freely move the monitors along the horizontal rail without using tools.

- Curved horizontal rail for improved viewing position
- Compatible with VESA 75x75 and 100x100 mounting interface
- Cable clips keep cables organized and protected

All installation material is included with the product.

FPMA-CB200BLACK

NEOMOUNTS FPMA-CB200BLACK DUAL



Neomounts

Measuring unit: mm