

FPMA-HAW100

SPECIFICATIONS

GENERAL

Min. screen size*	10 inch
Max. screen size*	24 inch
Min. weight	0 kg (per screen)
Max. weight	6 kg (per screen)
Screens	1
VESA minimum	75x75 mm
VESA maximum	100x100 mm

FUNCTIONALITY

Type	Tilt Swivel Full motion
Height adjustment	0-170 cm
Depth adjustment	0-187 cm
Tilt (degrees)	55°
Swivel (degrees)	370°
Pivot points	3
Adjustment type	Gas spring

INFORMATION

Color	White
Main material	Aluminium
Warranty	5 year
EAN code	8717371441098

*Please note: The inch sizes stated are just an indication, combined with the weight and VESA sizes. The maximum weight and VESA size are absolute restrictions for the products and should not be exceeded.

NEOMOUNTS FPMA-HAW100 MEDICAL



Neomounts



Neomounts

Neomounts FPMA-HAW100 Medical monitor arm wall - 10-24" - h 0-170 cm - 1-6 kg - VESA 75x75-100x100 - gas spring - white

The Neomounts wall mount, model FPMA-HAW100 is a tilt- and swivel wall mount for medical flat screens up to 24". This mount is a great choice for space saving placement or when ceiling mounting and floor placement is not an option.

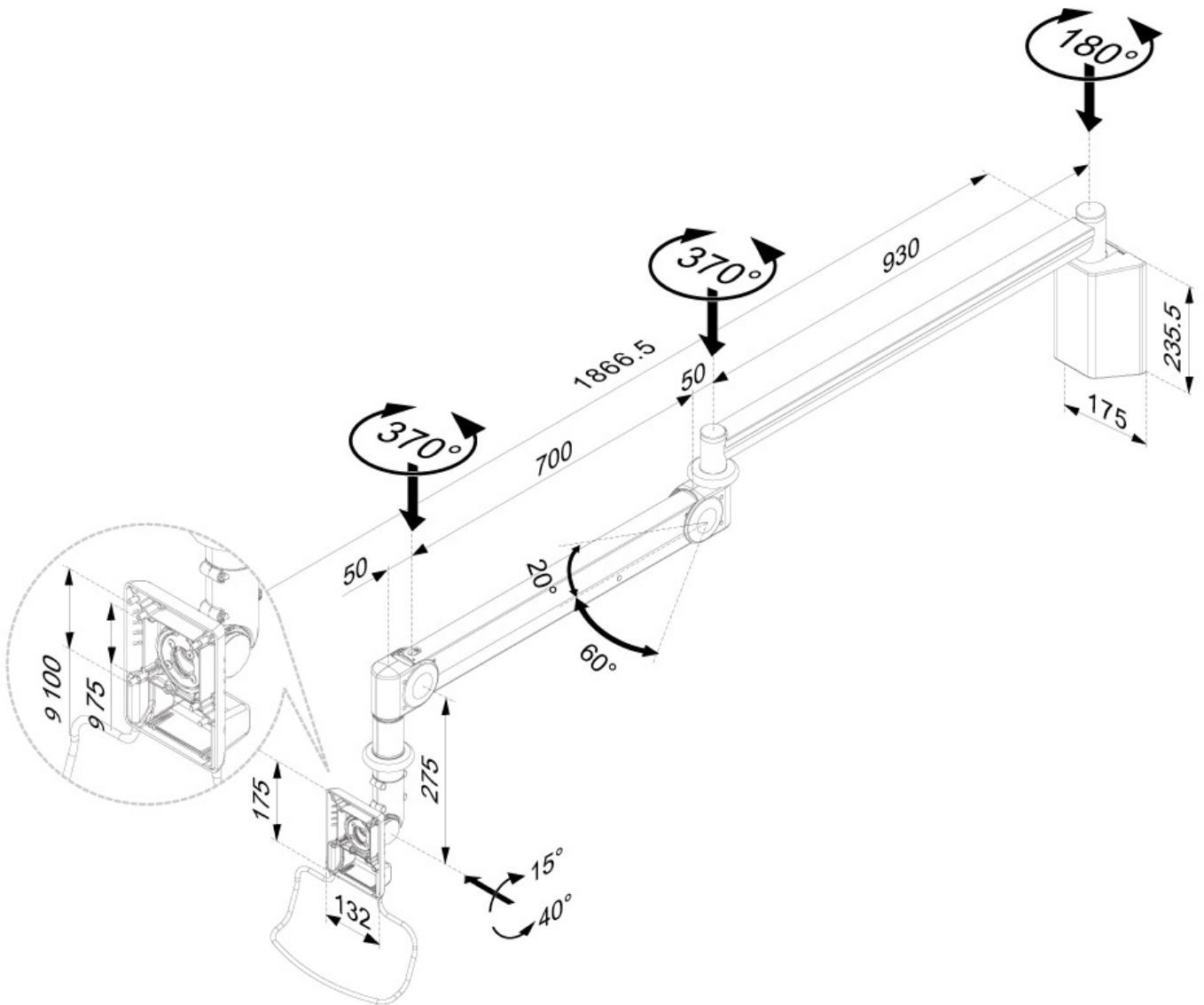
Neomounts' unique tilt (55°) and swivel (370°) technology allows the mount to change to any viewing angle to fully benefit from the capabilities of the flat screen. The support is easily height adjustable from 0 to 170 centimetres using a gas spring. Depth adjustable from 0 to 170 centimetres. An innovative cable management conceals and routes cables from mount to flat screen. Hide your cables to keep the workplace nice and tidy.

Neomounts FPMA-HAW100 has two pivot points and is suitable for screens up to 24" (61 cm). The weight capacity of this product is 6 kg each screen. The ceiling mount is suitable for screens that meet VESA hole pattern 75x75 or 100x100mm. Different hole patterns can be covered using Neomounts VESA adapter plates.

All installation material is included with the product.

FPMA-HAW100

NEOMOUNTS FPMA-HAW100 MEDICAL



Neomounts

Measuring unit: mm