

FPMA-DTBW200

NEOMOUNTS FPMA-DTBW200 TOOLBAR

SPECIFICATIONS

GENERAL

Min. screen size*	10 inch
Max. screen size*	30 inch
Min. weight	0 kg (per screen)
Max. weight	10 kg (per screen)
Screens	1
VESA minimum	75x75 mm
VESA maximum	100x100 mm

FUNCTIONALITY

Type	Tilt Rotate Swivel Full motion
Depth adjustment	12 cm
Tilt (degrees)	180°
Swivel (degrees)	180°
Rotate (degrees)	270°
Adjustment type	None

INFORMATION

Color	Grey
Main material	Steel
Warranty	5 year
EAN code	8717371442286

*Please note: The inch sizes stated are just an indication, combined with the weight and VESA sizes. The maximum weight and VESA size are absolute restrictions for the products and should not be exceeded.



Neomounts

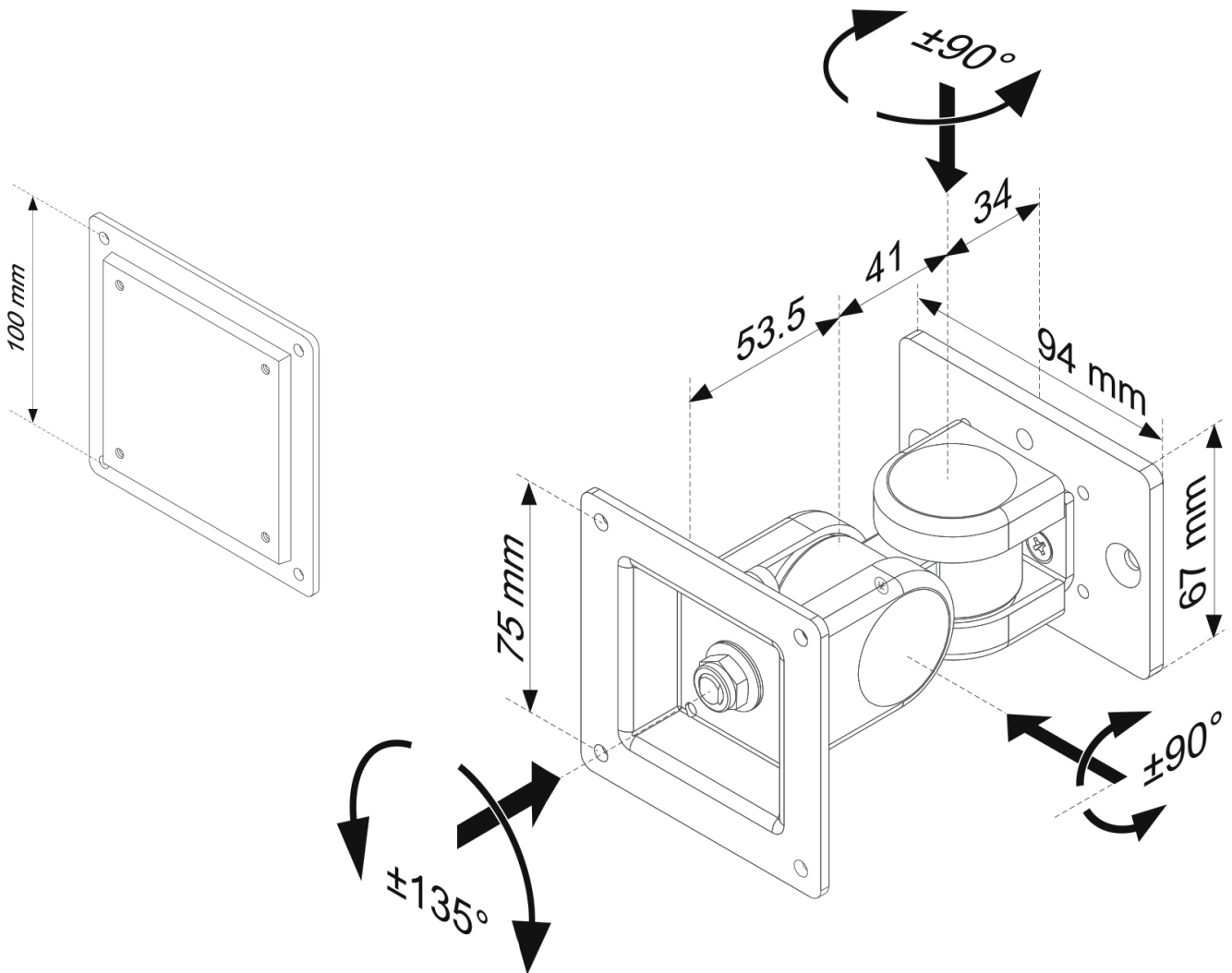
Neomounts FPMA-DTBW200 Toolbar monitor bracket - 10-30" - max 10 kg - VESA 75x75-100x100 - suitable for FPMA-DTB100/DTB200/WTB100 - full motion - grey

The Neomounts FPMA-DTBW200 monitor bracket is suitable for 10-30" screens with a maximum capacity of 10 kg and made for installation on the FPMA-DTB100, FPMA-DTB200 and FPMA-WTB100 toolbar rails. The full motion monitor bracket is 12 cm deep and can both tilt, swivel and rotate, enabling optimal use of the screen's functionality.

The FPMA-DTBW200 monitor bracket is suitable for screens with a VESA hole pattern of 75x75 and 100x100 mm. For non-standard hole patterns, Neomounts has various optional VESA adapter plates available.

FPMA-DTBW200

NEOMOUNTS FPMA-DTBW200 TOOLBAR



Measuring unit: mm