

FPMA-DTBW100

NEOMOUNTS FPMA-DTBW100 TOOLBAR

SPECIFICATIONS

GENERAL

Min. screen size*	10 inch
Max. screen size*	30 inch
Min. weight	0 kg (per screen)
Max. weight	8 kg (per screen)
Screens	1
VESA minimum	75x75 mm
VESA maximum	100x100 mm

FUNCTIONALITY

Type	Tilt
Depth adjustment	8 cm
Tilt (degrees)	180°
Rotate (degrees)	270°
Adjustment type	None

INFORMATION

Color	Grey
Main material	Steel
Warranty	5 year
EAN code	8717371445195

*Please note: The inch sizes stated are just an indication, combined with the weight and VESA sizes. The maximum weight and VESA size are absolute restrictions for the products and should not be exceeded.



Neomounts

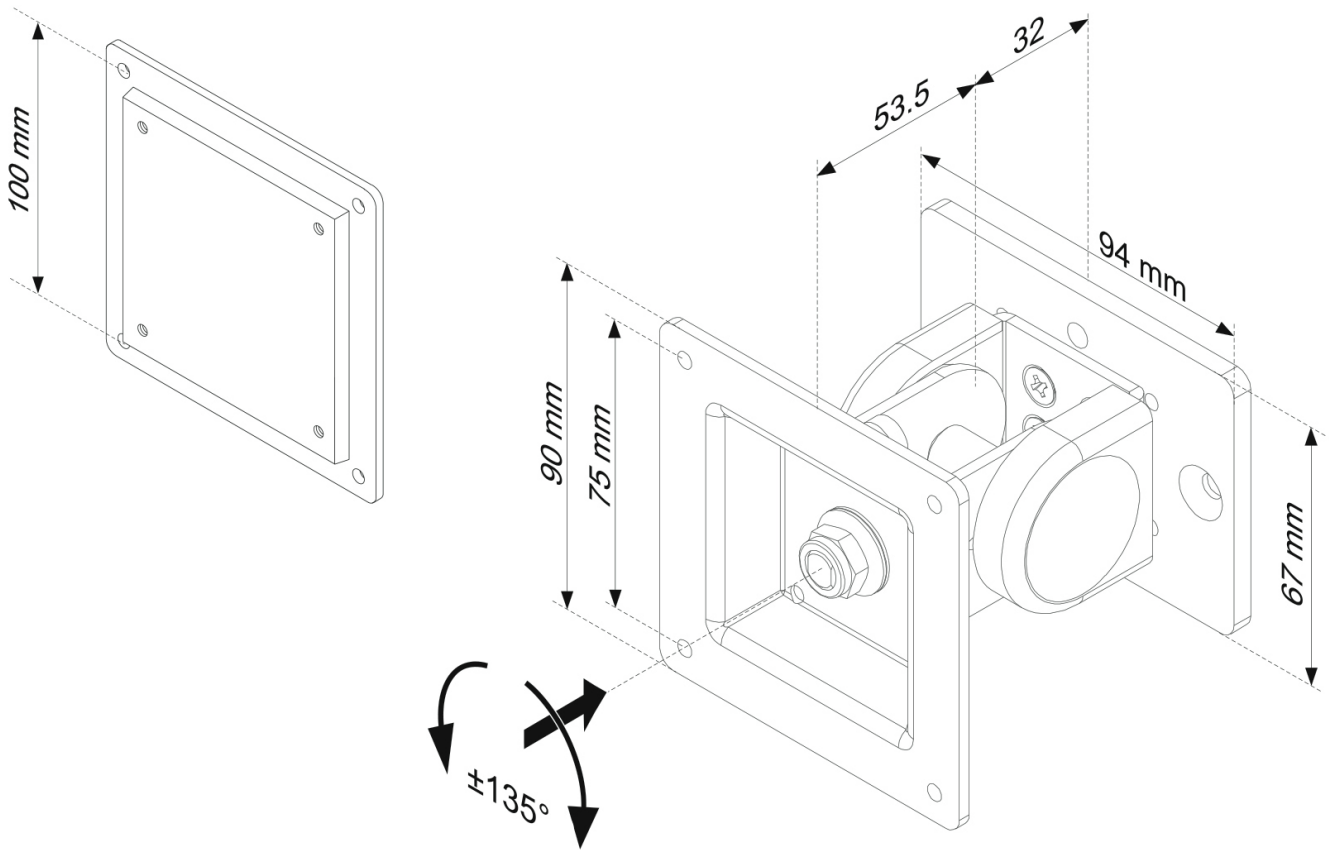
Neomounts FPMA-DTBW100 Toolbar monitor bracket - 10-30" - max 8 kg - VESA 75x75-100x100 - suitable for FPMA-DTB100/DTB200/WTB100 - tilt and rotate - grey

The Neomounts FPMA-DTBW100 monitor bracket is suitable for 10-30" screens with a maximum capacity of 8 kg and designed for installation on the FPMA-DTB100, FPMA-DTB200 and FPMA-WTB100 toolbar rails. The monitor bracket is 8 cm deep and can both tilt and rotate, enabling optimal use of the screen's functionality.

The FPMA-DTBW100 monitor bracket is suitable for screens with a VESA hole pattern of 75x75 and 100x100 mm. For non-standard hole patterns, Neomounts has various optional VESA adapter plates available.

FPMA-DTBW100

NEOMOUNTS FPMA-DTBW100 TOOLBAR



Measuring unit: mm